

Protocol converter - GW PL DP/MODBUS - 2316365

Please be informed that the data shown in this PDF Document is generated from our Online Catalog. Please find the complete data in the user's documentation. Our General Terms of Use for Downloads are valid (<http://phoenixcontact.com/download>)




Modbus/RTU to PROFIBUS DP protocol converter

Product Description

Protocol converter capable of connecting four Modbus/RTU devices to a PROFIBUS DP network



Key Commercial Data

Packing unit	1 pc
GTIN	 4 055626 127378
GTIN	4055626127378
Weight per Piece (excluding packing)	220.000 g
Custom tariff number	85176200
Country of origin	United States

Technical data

Note

Utilization restriction	EMC: class A product, see manufacturer's declaration in the download area
-------------------------	---

Dimensions

Width	22.5 mm
Height	99 mm
Depth	114.5 mm

Ambient conditions

Ambient temperature (operation)	-40 °C ... 85 °C
---------------------------------	------------------

Protocol converter - GW PL DP/MODBUS - 2316365

Technical data

Ambient conditions

Ambient temperature (storage/transport)	-40 °C ... 85 °C
Permissible humidity (operation)	95 % (non-condensing)
Altitude	2000 m
Degree of protection	IP20

General

Mounting position	On horizontal DIN rail NS 35 in acc. with EN 60715
Assembly instructions	on standard DIN rail NS 35 in accordance with EN 60715
Net weight	216 g
Housing material	PA V0
Color	gray
Degree of pollution	2
Overvoltage category	II

Power supply

Nominal supply voltage	24 V DC
Supply voltage range	18 V DC ... 30 V DC
Max. current consumption	60 mA
Connection method	COMBICON plug-in screw terminal block
Conductor cross section flexible max.	2.50 mm ²
Conductor cross section flexible min.	0.20 mm ²
Conductor cross section solid max.	2.50 mm ²
Conductor cross section solid min.	0.20 mm ²
Conductor cross section AWG max.	12
Conductor cross section AWG min.	24

Serial interface

Interface 1	PROFIBUS DP
Interface	RS-485 2-wire
No. of ports	1
Number of connections	2
Connection method	D-SUB 9, COMBICON
Connection technology	Screw connection
Termination resistor	390 Ω - 220 Ω - 390 Ω (switchable)
Conductor cross section solid min.	0.2 mm ²
Conductor cross section solid max.	2.5 mm ²
Conductor cross section flexible min.	0.2 mm ²
Conductor cross section flexible max.	2.5 mm ²
Conductor cross section AWG min.	24

Protocol converter - GW PL DP/MODBUS - 2316365

Technical data

Serial interface

Conductor cross section AWG max.	12
Torque	0.5 Nm ... 0.6 Nm
Protocols supported	Modbus/RTU, PROFIBUS DP
Data rate	9.6 kbps (min.)
	12 Mbps (max.)
Interface 2	Modbus/RTU
Interface	RS-485 2-wire
No. of ports	4 (Modbus/RTU devices)
Number of connections	2
Connection method	COMBICON
Connection technology	Screw connection
Termination resistor	Switchable
Conductor cross section solid min.	0.02 mm ²
Conductor cross section solid max.	2.5 mm ²
Conductor cross section flexible min.	0.2 mm ²
Conductor cross section flexible max.	2.5 mm ²
Conductor cross section AWG min.	24
Conductor cross section AWG max.	12
Torque	0.5 Nm ... 0.6 Nm
Data rate	115.2 kbps (max.)

Standards and Regulations

Standards/regulations	IEC 60079-15
	IEC 60079-0
Shock	30g, 18 ms
Vibration (operation)	5g, 10 Hz ... 150 Hz
ATEX	PRESAFE 16ATEX7686X, II 3G, Ex nA IIC T4 Gc
IECEX	IECEX PRE 16.0001X, Ex nA IIC T4 Gc
UL, USA/Canada	Class I, Div. 2, Groups A, B, C, D Class I, Zone 2, AEx nA IIC T4, Ex nA IIC T4 GcX

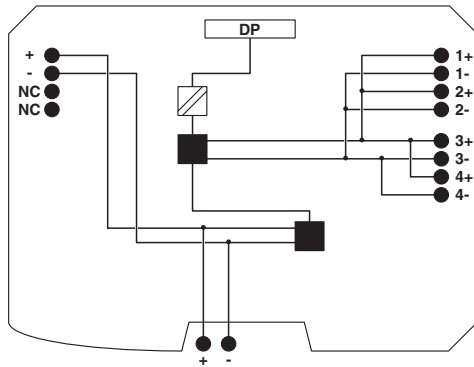
Environmental Product Compliance

	Lead 7439-92-1
China RoHS	Environmentally Friendly Use Period = 50
	For details about hazardous substances go to tab "Downloads", Category "Manufacturer's declaration"

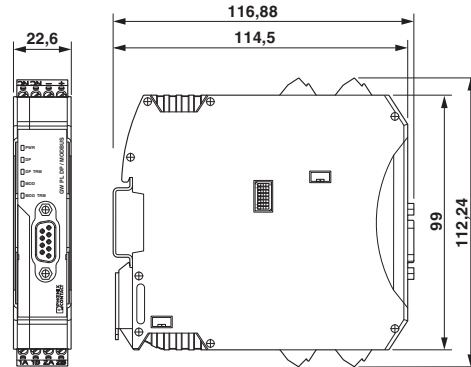
Drawings

Protocol converter - GW PL DP/MODBUS - 2316365

Block diagram



Dimensional drawing



Classifications

eCl@ss

eCl@ss 5.1	27242700
eCl@ss 6.0	27242200
eCl@ss 7.0	27242208
eCl@ss 8.0	27242208
eCl@ss 9.0	27242208

ETIM

ETIM 5.0	EC001423
ETIM 6.0	EC001423
ETIM 7.0	EC001423

UNSPSC

UNSPSC 13.2	39122114
-------------	----------

Accessories

Accessories

Data plug

D-SUB bus connector - SUBCON-PLUS-PROFIB/90/IDC - 2313672



D-SUB connector, 9-pos., male connector, cable entry < 90°, bus system: PROFIBUS DP up to 12 Mbps, termination resistor can be switched on via slide switch, pin assignment: 3, 5, 6, 8; IDC terminal block connection

Protocol converter - GW PL DP/MODBUS - 2316365

Accessories

D-SUB bus connector - SUBCON-PLUS-PROFIB/90/SC - 2313698



D-SUB connector, 9-pos., male connector, cable entry < 90°, bus system: PROFIBUS DP up to 12 Mbps, termination resistor can be switched on via slide switch, pin assignment: 3, 5, 6, 8; screw connection terminal blocks

D-SUB bus connector - SUBCON-PLUS-PROFIB/90/PG/SC - 2313708



D-SUB connector, 9-pos., male connector, cable entry < 90°, bus system: PROFIBUS DP up to 12 Mbps with PG D-SUB socket for connecting a programming device, termination resistor can be switched on via slide switch, pin assignment: 3, 5, 6, 8; screw connection terminal blocks

DIN rail connector

DIN rail bus connectors - ME 22,5 TBUS 1,5/ 5-ST-3,81 GY - 2201937



DIN rail connector, number of positions: 5, pitch: 3.81 mm